



LED LIGHTHOUSE LAMPS

MLL 50



The MLL 50 LED lamp is especially developed for long-range optical systems in lighthouses, both rotating and flashing ones.

Consisting of a high-power LED light source, its design is custom-made in each case, in order to optimise its efficiency and obtain the maximum luminous intensity.

With 60W power, it can replace lamps of up to 1,000W power, with an important saving in both energy and infrastructure, by keeping the original luminous range of the lighthouse.

Its exceptional thermal management and its current regulation system ensure a lamp service life of 100,000 hours, so that maintenance intervals significantly decrease.

FEATURES

- ✓ With a 60W power it can achieve ranges of up to 26 nautical miles (1,150,000 Cd).
- ✓ Power supply system with current regulation and PWM adjustable power.
- ✓ Solar screen to avoid sun effect.
- ✓ Focus accuracy.
- ✓ Corrosion resistant.
- ✓ Specific design for each case, according to the type of lens and its array.
- ✓ 60W power in white colour (other powers available).
- ✓ Exceptional thermal management for higher LED efficiency.
- ✓ Lamp average life time of 100,000 hours.
- ✓ Red or green colour available, as option.



LED BEACON LAMPS

MLL 18



The MLL 18 LED lamp has been designed to replace halogen lamps and lampchangers in old flashing lenses of 155-, 250- and 300-millimetre diameter.

With up to 18W power, it allows to equal and even surpass the intensity obtained by conventional lamps, with the additional advantage of an average life of 100,000 hours, what means a free-maintenance use over 25 years. Its luminous source is fitted with 6 nos. LED diodes of highintensity.

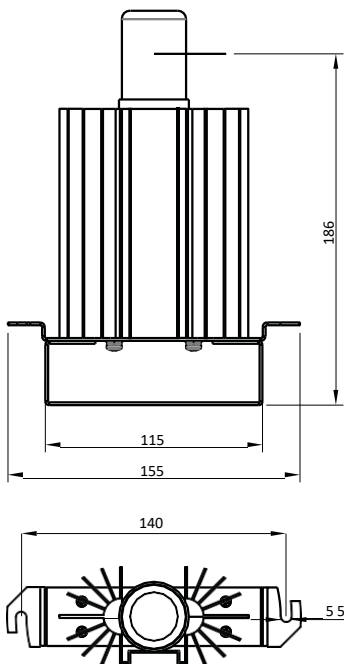
Its dimensions and power system allow an immediate replacement without need of any beacon modification. Exceptional thermal management and LED drivers guarantee an optimum efficiency all its life time.

MLL 18 lamp low power allows an optimization of the power supply system, with the consequent economical savings.



Especificaciones sujetas a cambio sin previo aviso.

FEATURES



- ✓ Luminous range according to the lens used.
- ✓ Accurate lamp positioning.
- ✓ Average lifetime of 100,000 hours.
- ✓ Anodized aluminium diffuser.
- ✓ LED driver circuit incorporated.
- ✓ Terminal bolts in stainless steel.
- ✓ Corrosion resistant.
- ✓ Standard colours according to IALA Recommendations.
- ✓ Standard or customized fixing bridge.
- ✓ Compatible with a wide range of flashing lanterns.
- ✓ Optimum operation with our MF12 special flasher for LEDs.